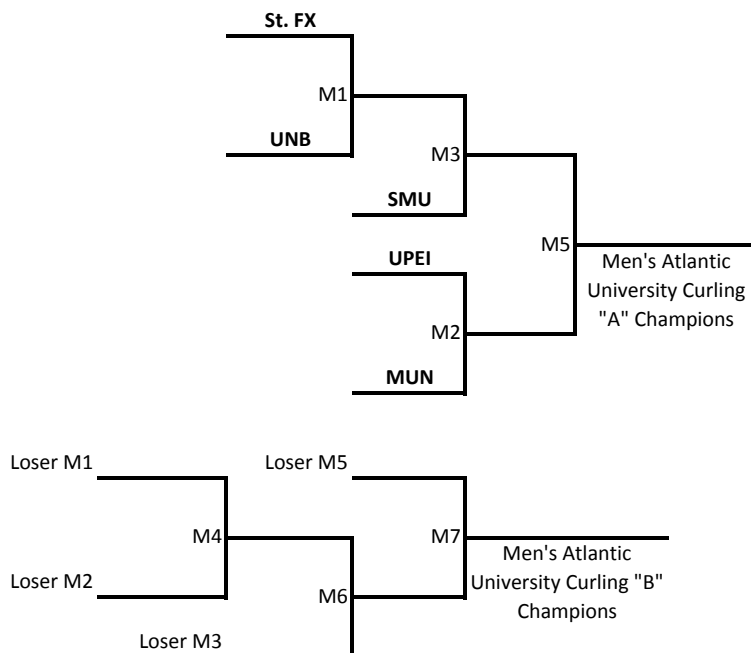


Atlantic University Curling Championships 2014 - Men

	Draw Time	Ice 1	Ice 2	Ice 3	Ice 4	Ice 5		
Friday, January 3rd	2:00 PM						* Pre-event practice for all teams is 10 minutes on each sheet (total 50 minutes)	
	3:30 PM							
	5:00 PM							
	7:00 PM		M1			M2	*all games are 10 ends	
	9:30 PM	Social at the CWC for all teams						
Saturday, January 4th	9:00 AM				M3		* Coin flip is 30 minutes prior to game time to determine choice of practice and rock colour. First practice will start 20 minutes prior to game time.	
	2:00 PM	M4						
	7:00 PM			M5				
Sunday, January 5th	9:00 AM			M6			* Pre-game practice = 1 minute slider cool down, 8 minute practice, then 1 minute to complete the draw to the button for hammer	
	2:00 PM		M7					

Men's Draw - Capital Winter Club - January 3-5, 2014



* The two winning teams will represent Atlantic Canada at the CIS/CCA University Curling Championship in Regina, SK from March 19-23, 2014